

SHOULDER

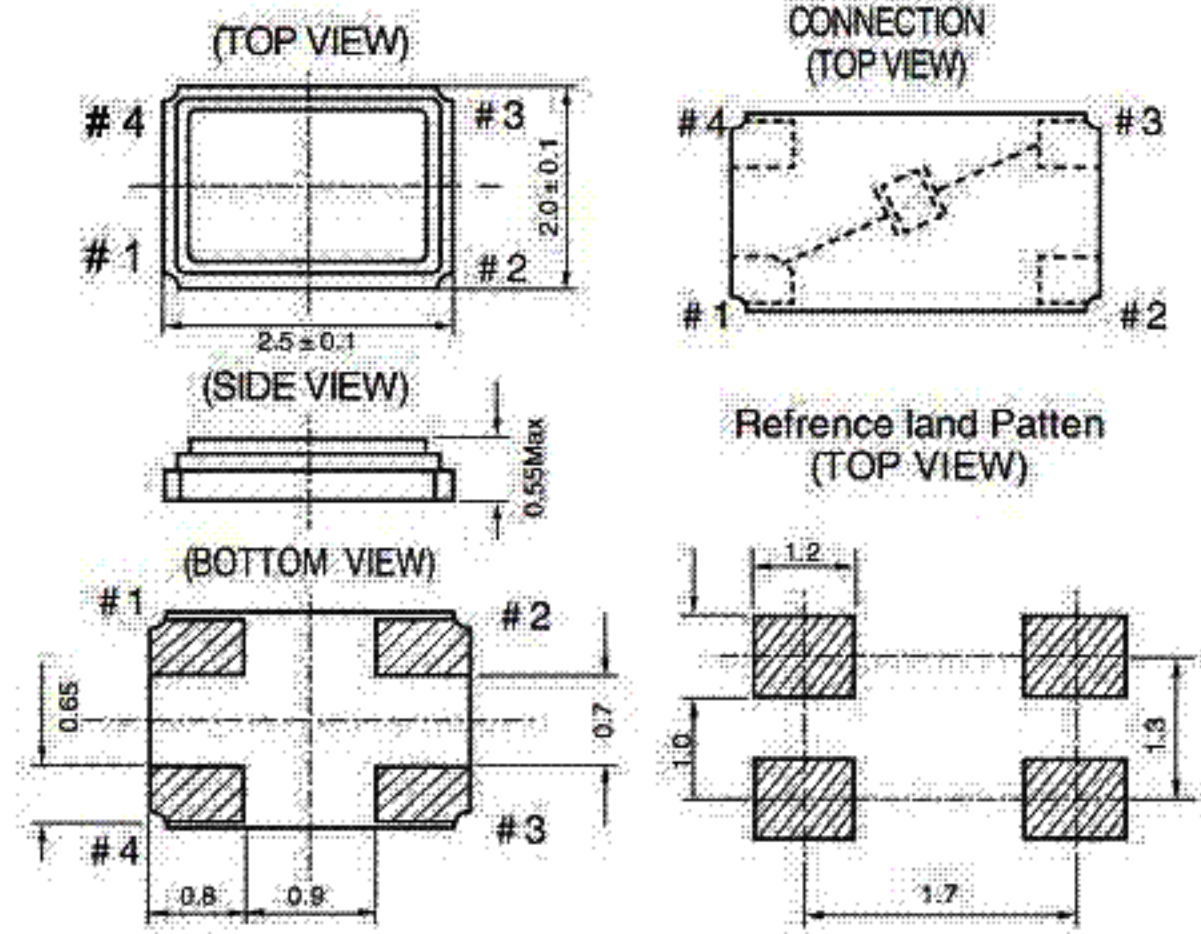
SMD2520 Crystal



ELECTRICAL SPECIFICATION

Frequency Range	12.0000 to 50.000 MHz
Load Capacitance	8 pF to 32pF or series
Frequency Tolerance (at 25°C)	+/-10,+/-15,+/-20,+/-30,+/-50ppm or specify
Oscillation Mode	Fundamental
Frequency Stability in Temperature	+/-10,+/-15,+/-20,+/-30,+/-50ppm or specify
Operating Temperature Range	-20°C to +70°C Standard (or Optional)
Storage Temperature Range	-40°C to +85°C
Equivalent Series Resistance (ESR)	See ESR Table
Drive Level	10µW Typical, 100µW Max.
Shunt Capacitance	3pF Maximum
Aging (at 25°C)	±3ppM per year
Insulation Resistance	500 MOhm Minimum

MECHANICAL DIMENSIONS (all in mm)



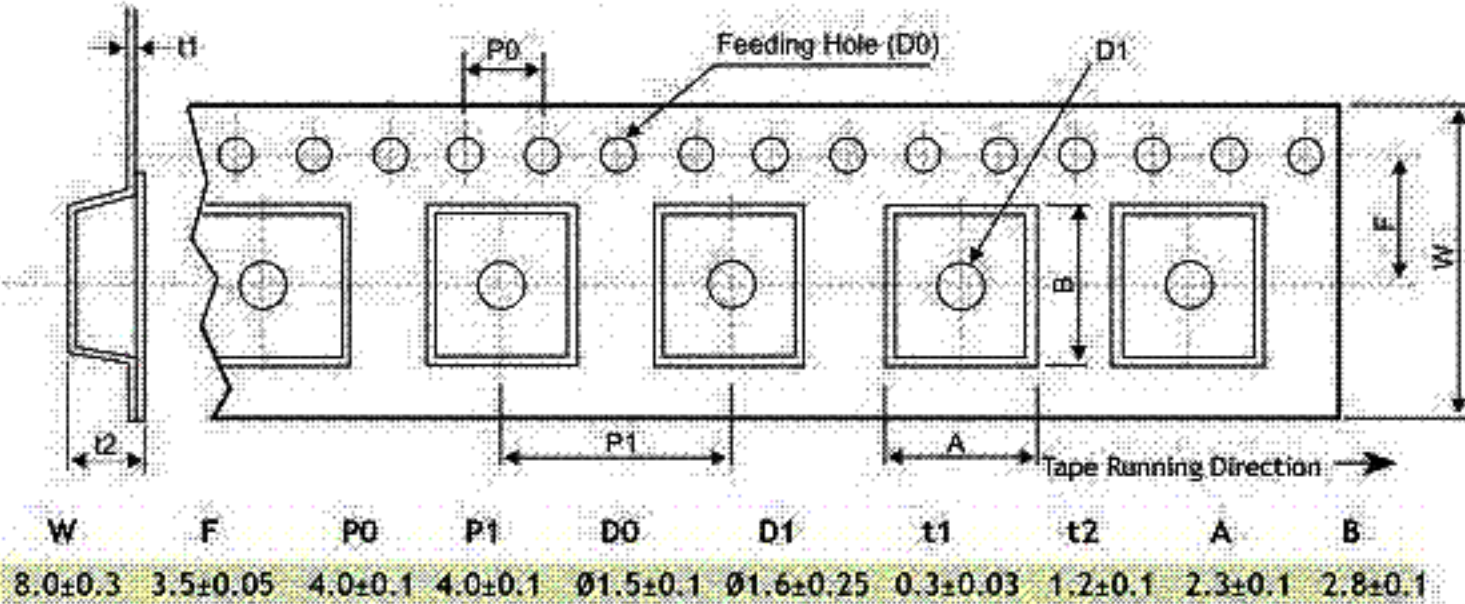
FREQUENCY RANGE AND OSCILLATION MODE

Fundamental (F)	12.0000 to 50.000 MHz
-----------------	-----------------------

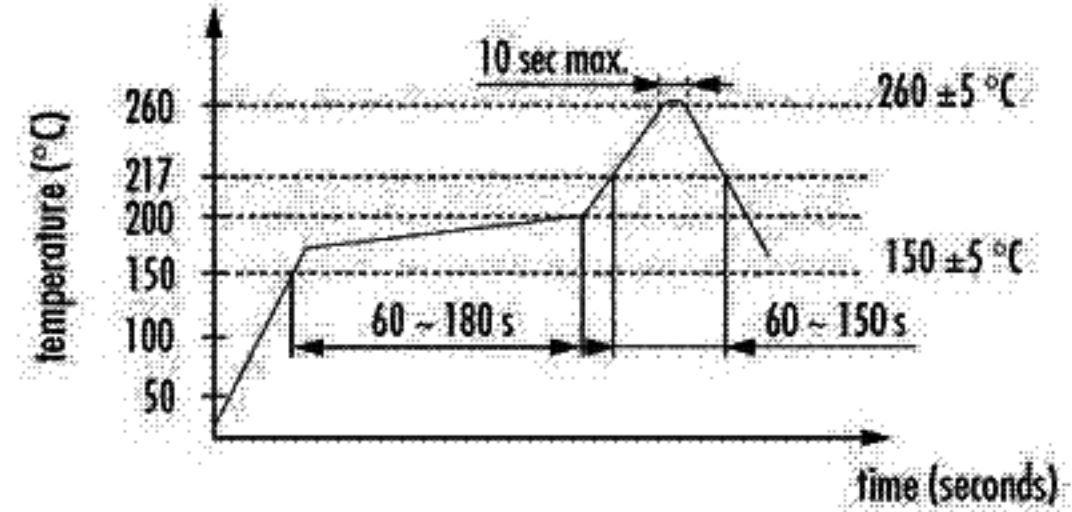
ESR TABLE (Ohms)

12.0000 to 20.000MHz	100Max
20.000 to 30.000MHz	80Max
30.000 to 40.000MHz	60Max
40.000 to 50.000MHz	50Max

TAPE SPECIFICATIONS (all in mm) - Carrier Tape Dimensions



SOLDERING



Temperature Range	Frequency Stability (ppm)				
	±10ppm	±15ppm	±20ppm	±30ppm	±50ppm
0~+50°C	✓	✓	✓	✓	✓
-10~+60°C	✓	✓	✓	✓	✓
-20~+70°C	✓	✓	✓	✓	✓
-30~+80°C		✓	✓	✓	✓
-40~+85°C			✓	✓	✓

PART NUMBERING SYSTEM (Example)

SMD2520-22.1184-F-20-30-30-A-T

Hold Type

SMD0705 / SMD3225 / SMD1612 / SMD0503 / SMD0603 / SMD2016 / 495-SMD / 4952-SMD

Nominal Frequency (MHz)

Enter the nominal frequency (3 digits after dot) or up to last significant digit different than zero

Mode of Operation (Vibration Mode)

F= Fundamental
T= 3rd Overtone

Load Capacitance
S= Series Resonant
or enter load capacitance
10 to 32 for parallel

Options (can be blank)
S= Standard
X= Additional Specifications
T= Tape and Reel

Operating Temperature Range (°C)

A= -20°C to 70°C
B= -10°C to 60°C
C= 0°C to 50°C
D= -30°C to 80°C
E= -40°C to 85°C

Frequency Stability (± ppm)

Frequency Tolerance (± ppm)

